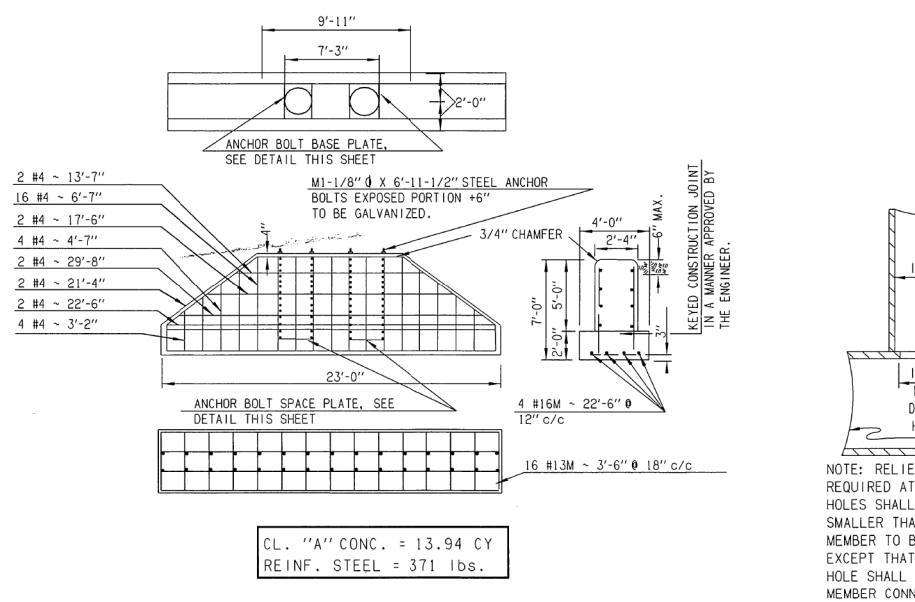
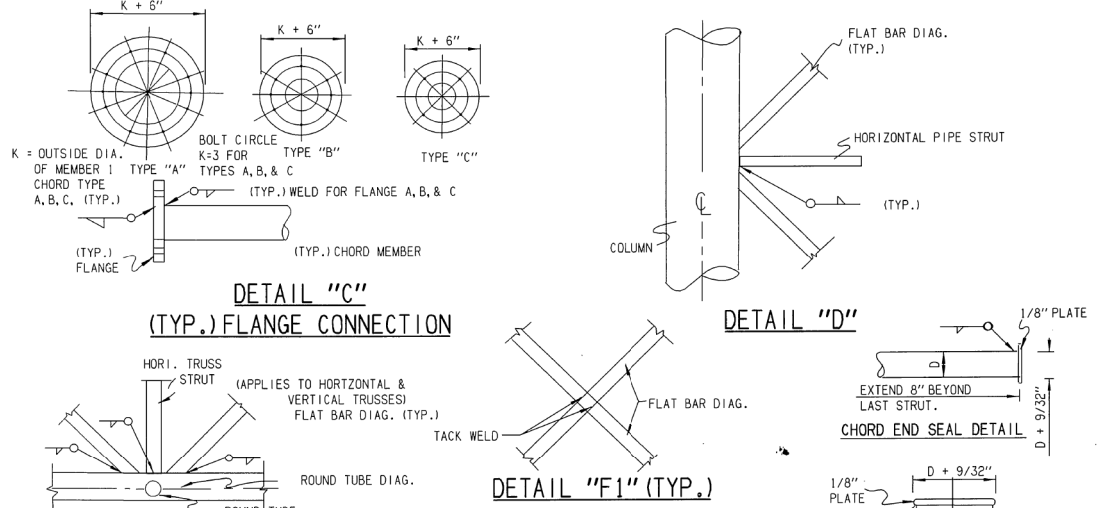


NOTE: CONTRACTOR WILL USE 20'-0" FOOTING WHEN MEMBER 6 IS LESS THAN 28'-0" WHEN MEMBER 6 IS 28'-0", THE 23'-0" FOOTING WILL BE USED.

STEEL TUBING SHALL BE "ASTM A512 AND/OR A 513." STEEL PIPE SHALL BE "A 53 GRADE B." ALL OTHER STEEL SHALL BE "A-36"

FOR WALKWAY AND LIGHTING DETAILS, SEE STANDARD OWE1141 (LATEST REVISION).

TRUSS SPAN	L/1000	WIND k Po	A-36 ROUND CHORD
36	11	1.44	1/4"
		1.92	1/4"
		2.39	1/4"
48	15	1.44	1/4"
		1.92	1/4"
		2.39	1/4"
60	18	1.44	1/4"
		1.92	1/4"
		2.39	1/4"
72	22	1.44	3/8"
		1.92	3/8"
		2.39	3/8"
84	26	1.44	1/2"
		1.92	1/2"
		2.39	1/2"
96	29	1.44	5/8"
		1.92	5/8"
		2.39	5/8"
108	33	1.44	3/4"
		1.92	3/4"
		2.39	3/4"
120	37	1.44	1"
		1.92	1"
		2.39	1"
132	40	1.44	1-1/8"
		1.92	1-1/8"
		2.39	1-1/8"
144	44	1.44	1-1/8"
		1.92	1-1/8"
		2.39	1-1/8"



ALL A-53 GRADE B STEEL TUBING

MEMBER SIZE "C"		MEMBER SIZE "C"
MEMBER NUMBER	MEMBER SIZE "C"	
	UP TO 140'-0"	OVER 140'-0"
1	7'-2" X 1/4"	FOR STRUCTURES OVER 40' CONTRACTOR SHALL SUBMIT SHOP DRAWING FOR APPROVAL
2	1'-1/4" X 3/16"	
3	2'-2" X 5/16"	
4	2'-1/4" X 3/16"	
5	1'-3/4" X 3/8"	
6	12" @ 43.77 LBS.	
7	2" X 7/16" *	*
8	2"	●
9	2" X 1/4" *	*

* A-36 STEEL B OR ● EXTRA STRENGTH PIPE

